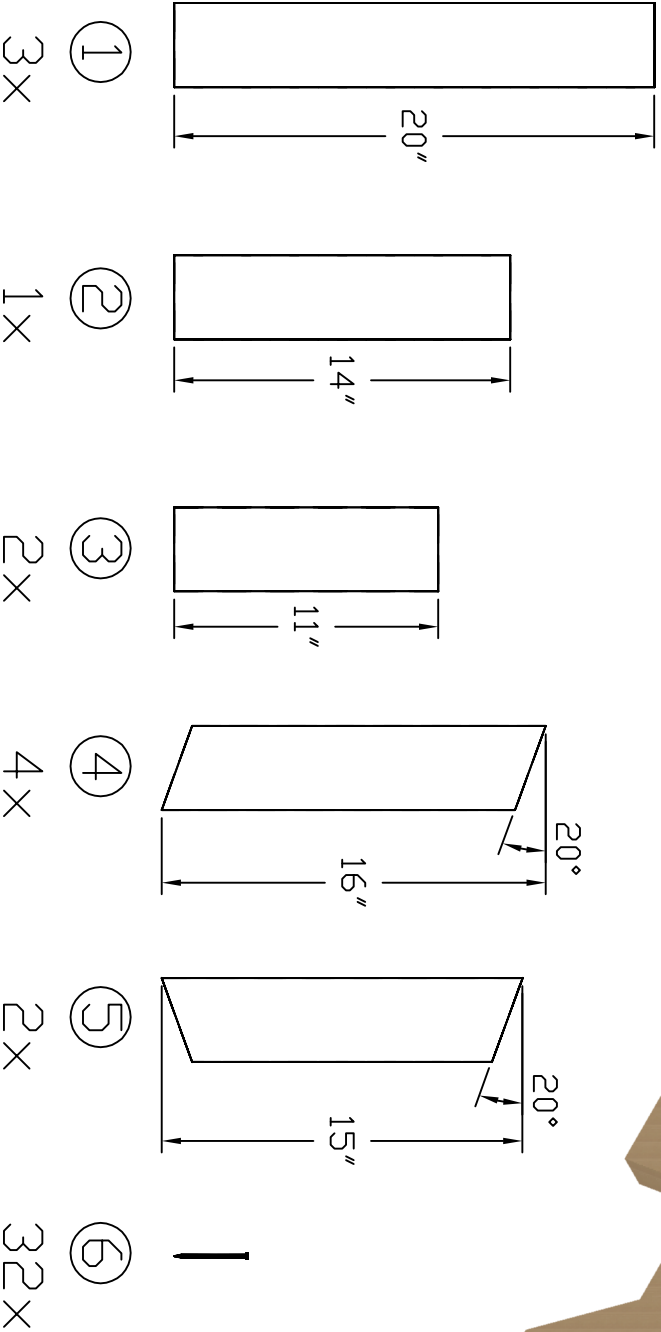
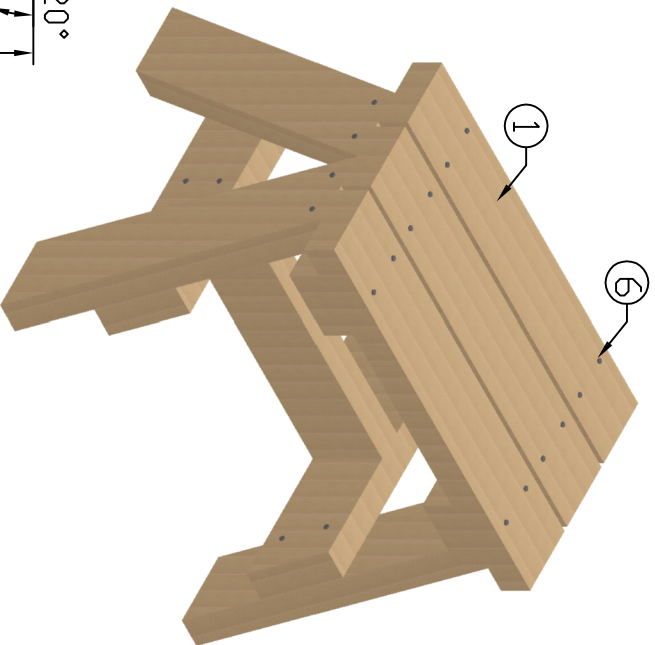
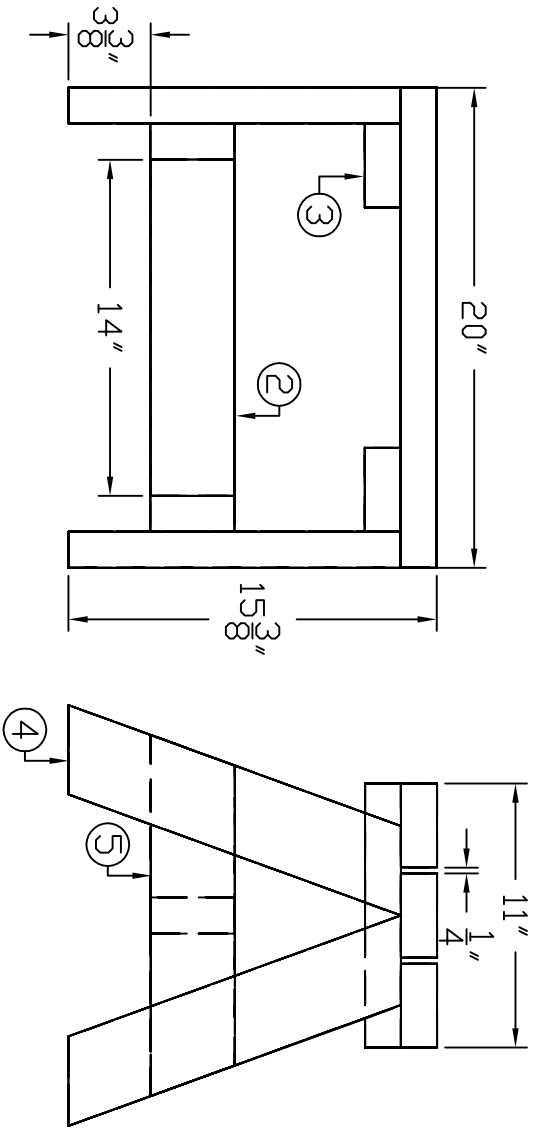


REVISION BLOCK			
REV	ECN #	DESCRIPTION OF CHANGES	DATE
A		ENGINEERING RELEASE	10/27/2007
B			APB
C			



TOLERANCE BLOCK			
UNLESS OTHERWISE SPECIFIED	FINI	MM	INCH
PRECISION	± .1	± .25	
XX	± .02	± .51	
XXX	± .005	± .127	
XXLX	± .001	± .025	
ANGLES	± 1'		

Alex Bouchard (xxx) xxx-xxxx
http://alexbp.com

TITLE: **SMALL STOOL**

DRAWING NUMBER: **SMALL_STOOL-A**

SCALE: 1:8 NEXT ASSY: N/A SHEET: 1 OF: 1

APPROVED BY: ALEX BOUCHARD DATE: 10/27/2007

FINISH: 3" Nails or Wood Screws

PERMISSION IS GRANTED TO COPY, DISTRIBUTE AND/OR REPRODUCE THIS DOCUMENT UNDER THE TERMS OF THE ALEX BOUCHARD LICENSE. ANY LATER REVISION PUBLISHED BY THE FIRM, INCLUDING NO FRONT-COVER TITLES, AND NO BACK-COVER TITLES, A COPY OF THE LICENSE CAN BE FOUND AT <http://www.alexbo.com/licenses/index.html>

Copyright 2007 Alex Bouchard